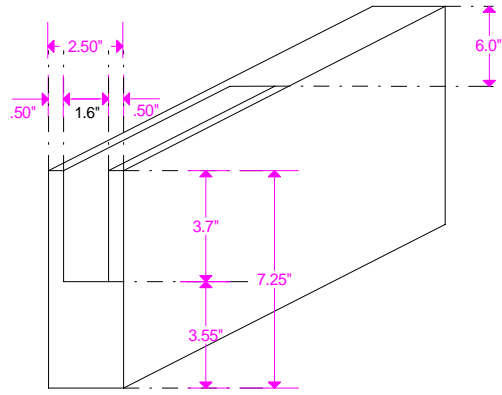
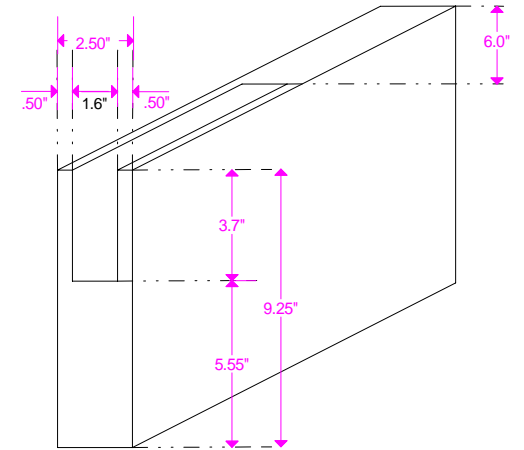


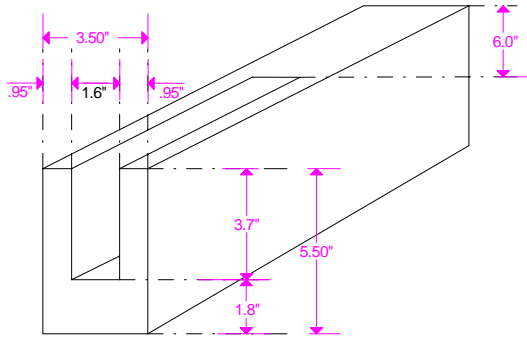
3 x 6 Nominal



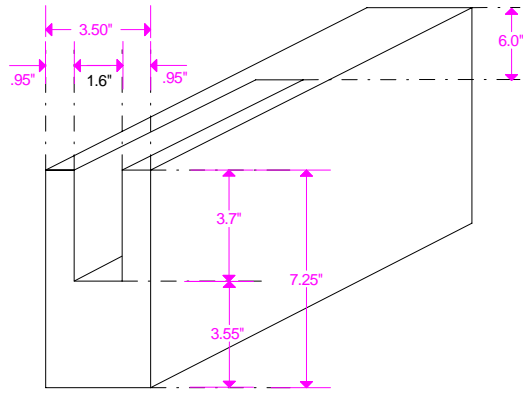
3 x 8 Nominal



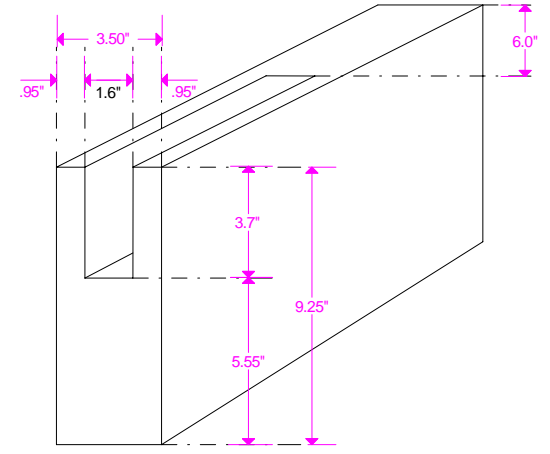
3 x 10 Nominal



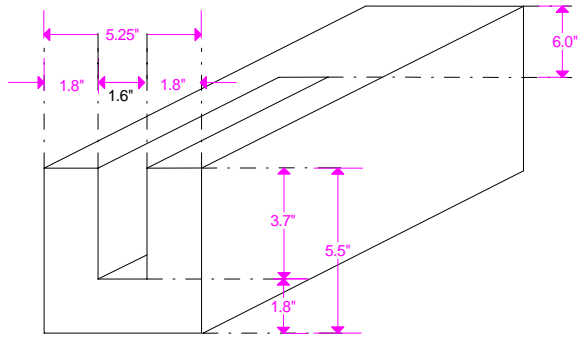
4 x 6 Nominal



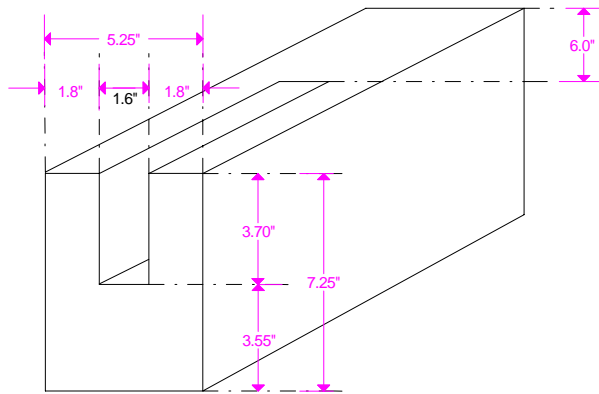
4 x 8 Nominal



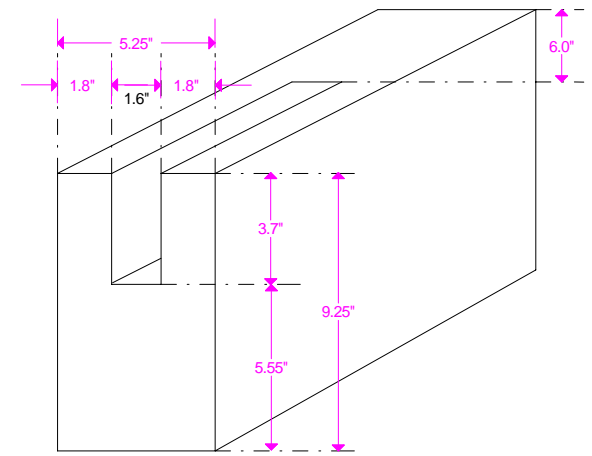
4 x 10 Nominal



6 x 6 Nominal



6 x 8 Nominal



6 x 10 Nominal